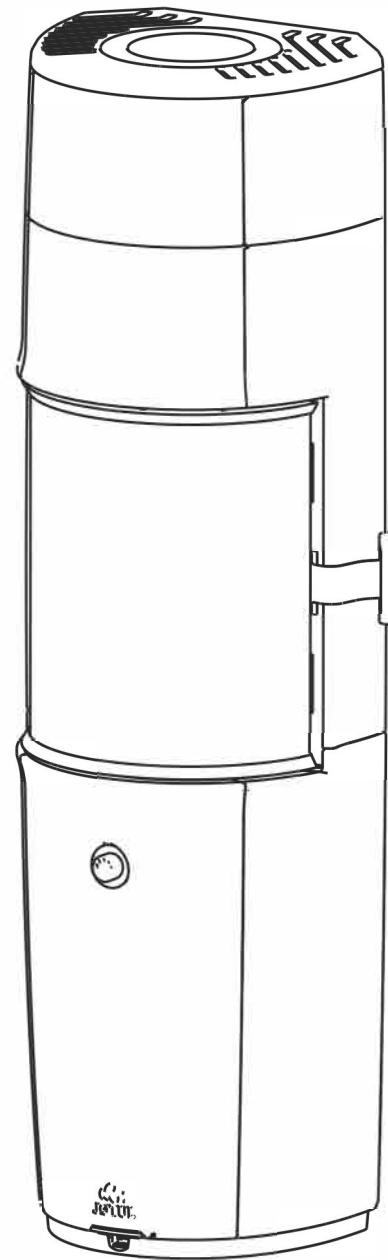
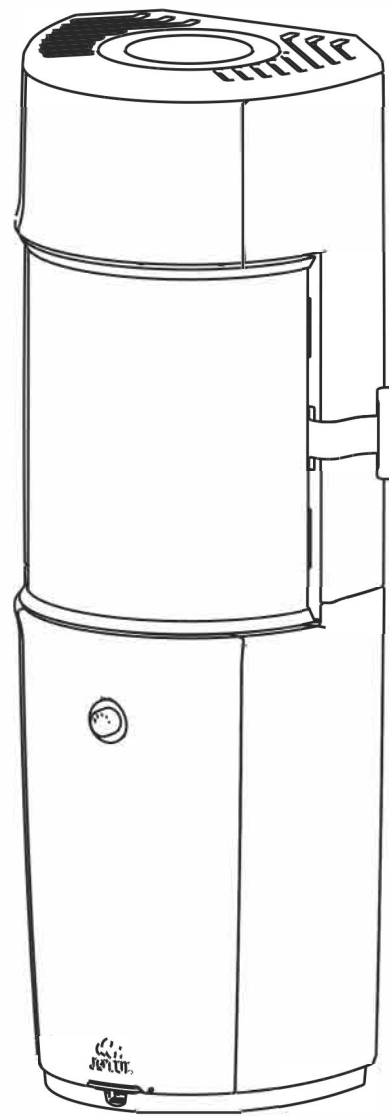


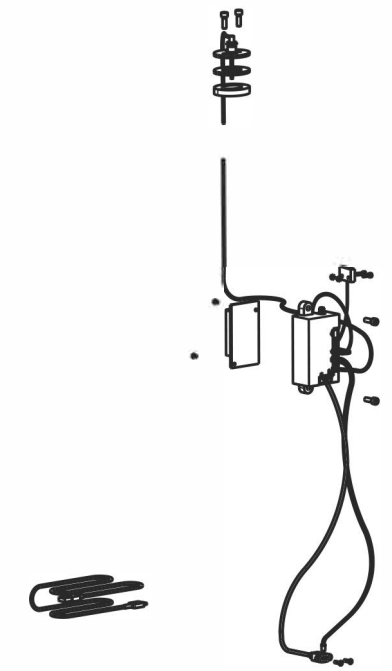
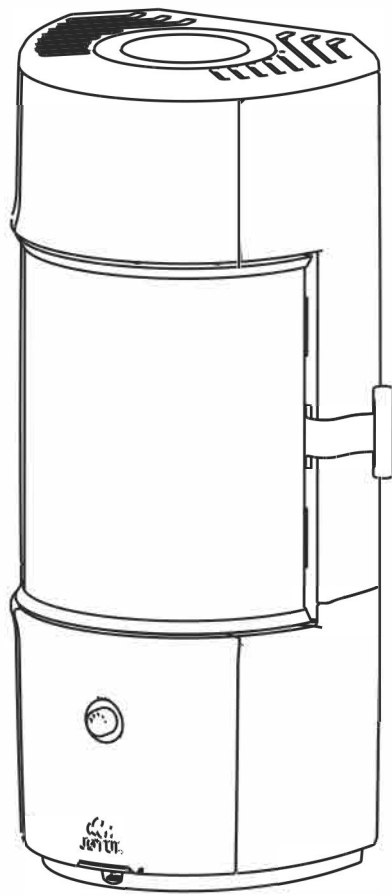
JØTUL F 176 ZENSORIC  
Mantle page 2



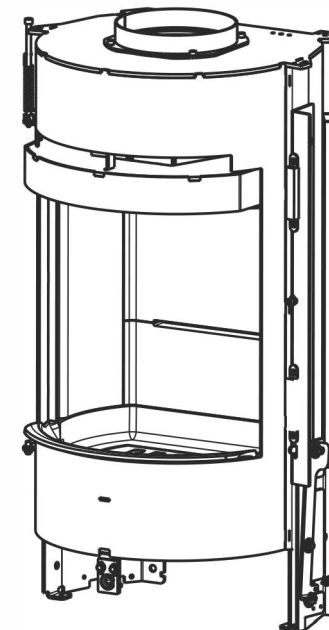
JØTUL F 174 ZENSORIC  
Mantle page 2



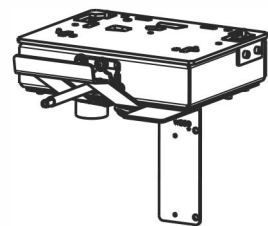
JØTUL F 171 ZENSORIC  
Mantle page 2



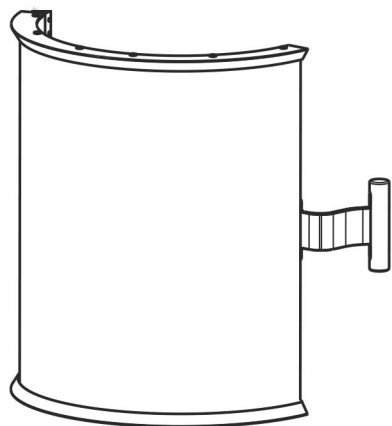
Burn Chamber Page 4



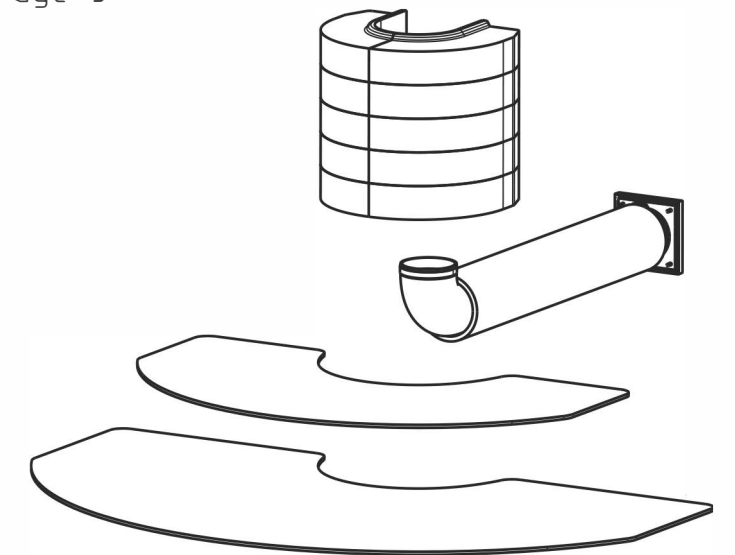
Air Box  
Page 3



Door Page 3

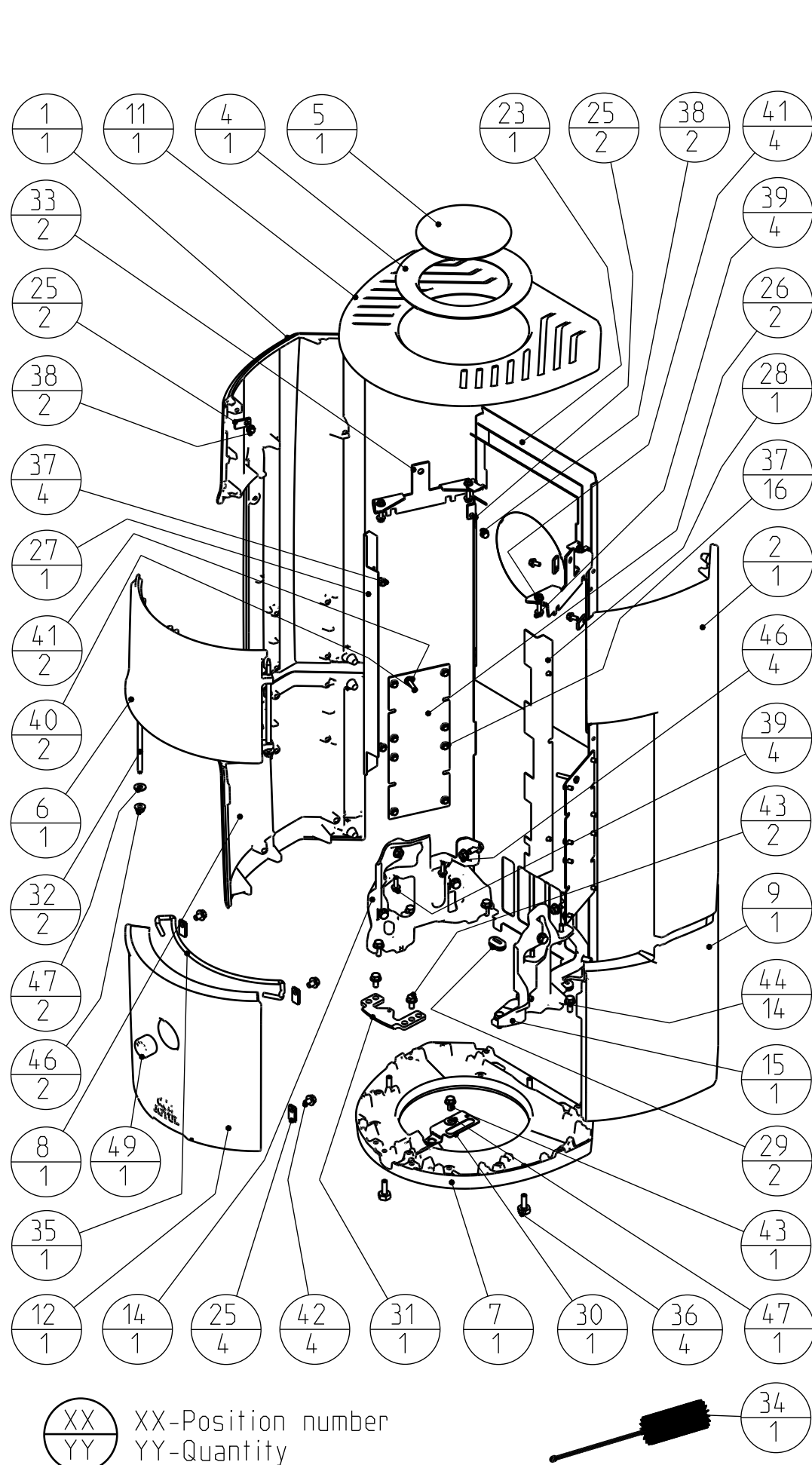


Optional equipment  
Page 5

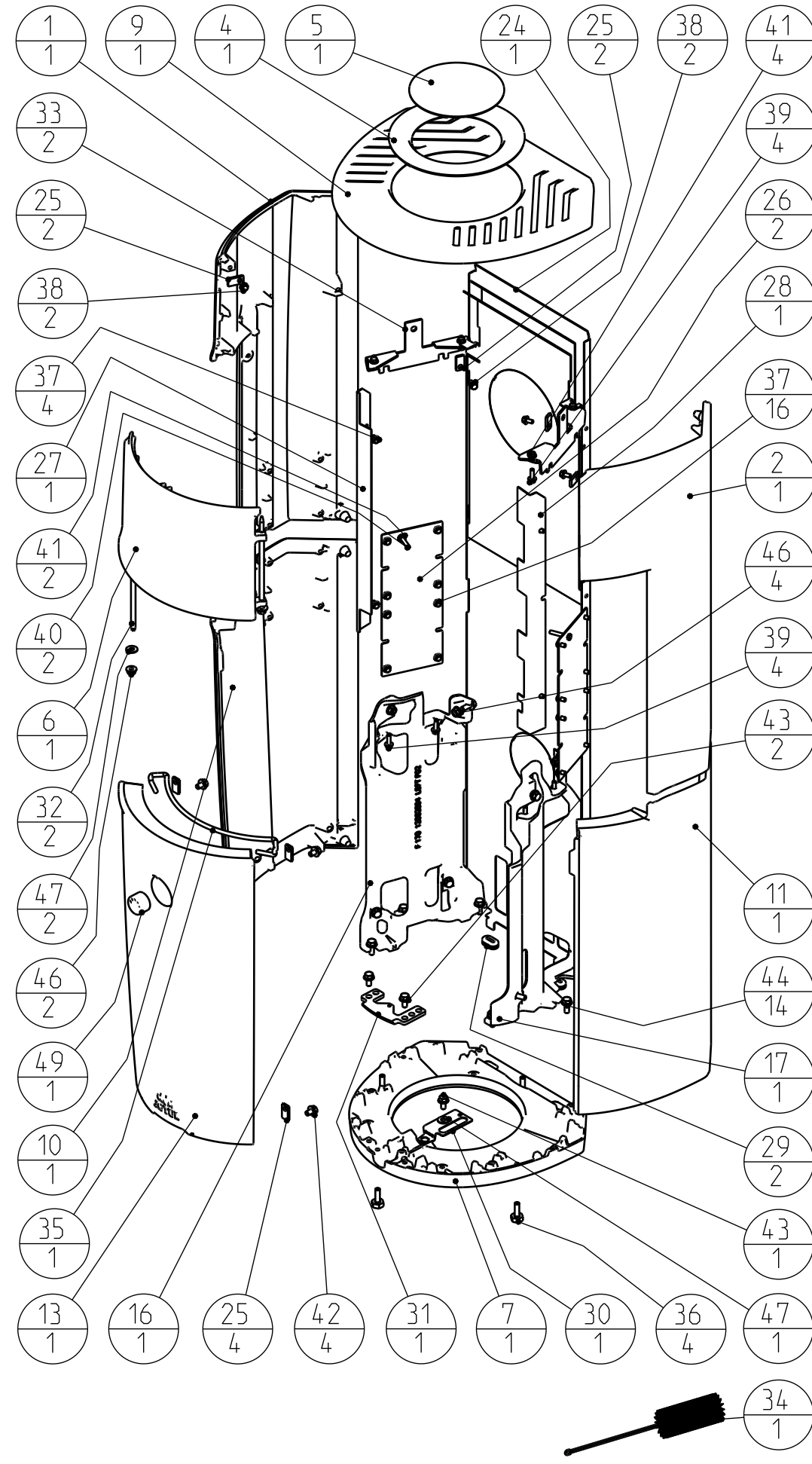


Partlist, Jøtul F 170

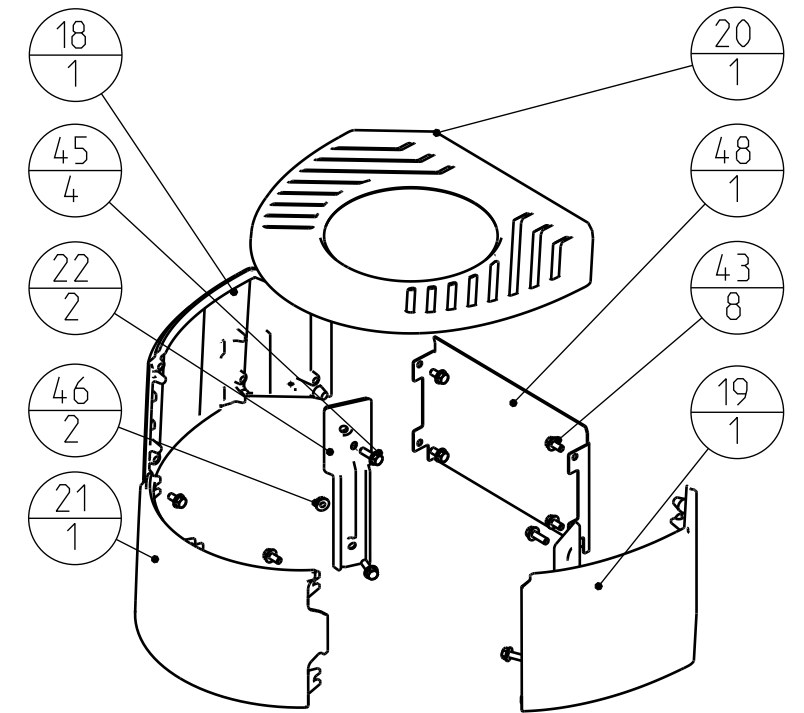
Mantle F 171



Mantle F 174



Mantle F 176 =  
Mantle F 174 +  
High Top F 176

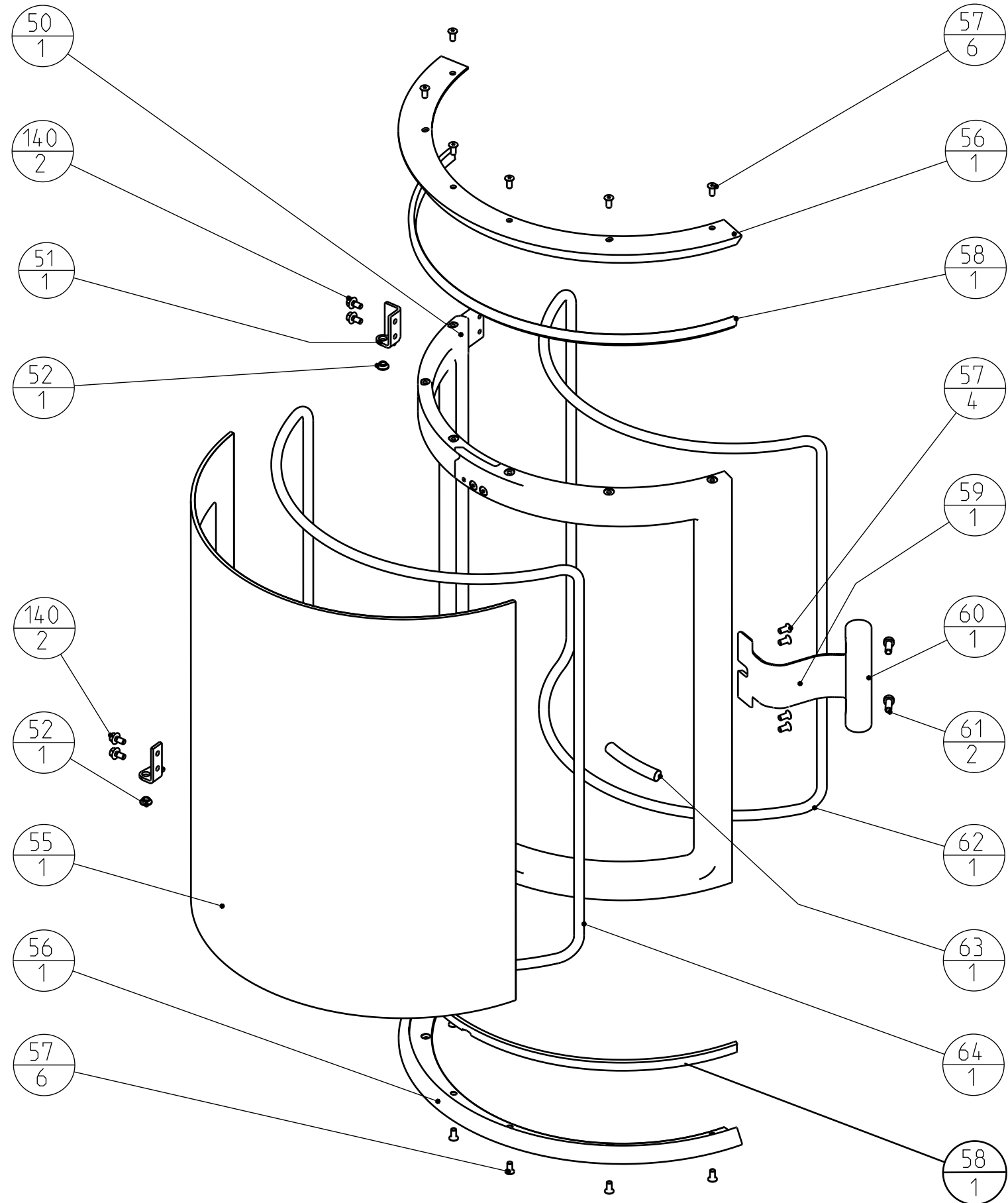


Regarding Top Plate Pos. 3  
This is not used on High Top F 176 !

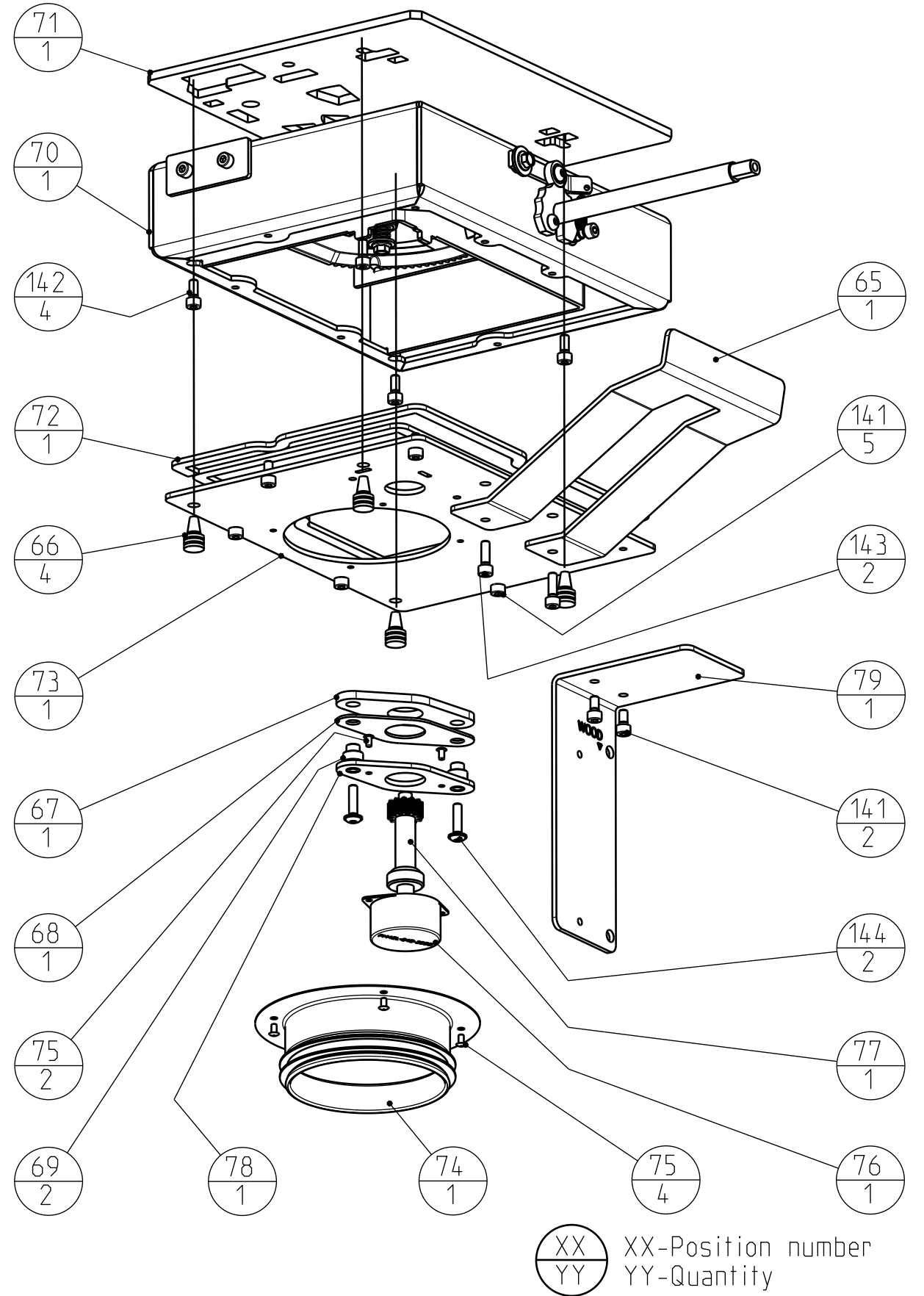
XX-Position number  
YY-Quantity

Partlist, Jøtul F 170		
Jøtul AS Fredrikstad, Norway	Draw.no: 900369-P01 Page. 2 of 5	Date: 01.02.2024

Door



Air Box V3



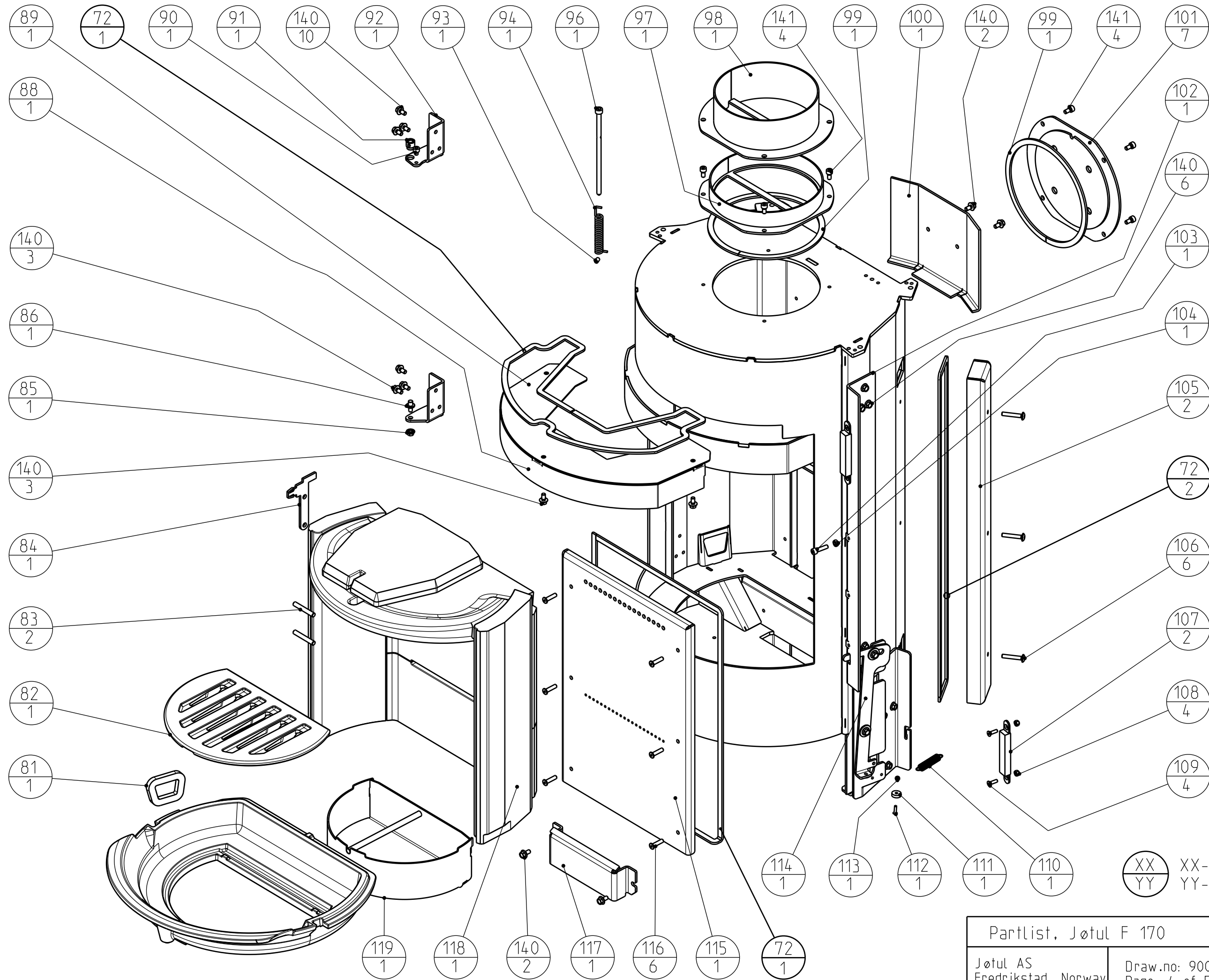
XX XX-Position number  
YY YY-Quantity

Partlist, Jøtul F 170

Jøtul AS  
Fredrikstad, Norway

Draw.no: 900369-P01  
Page. 3 of 5

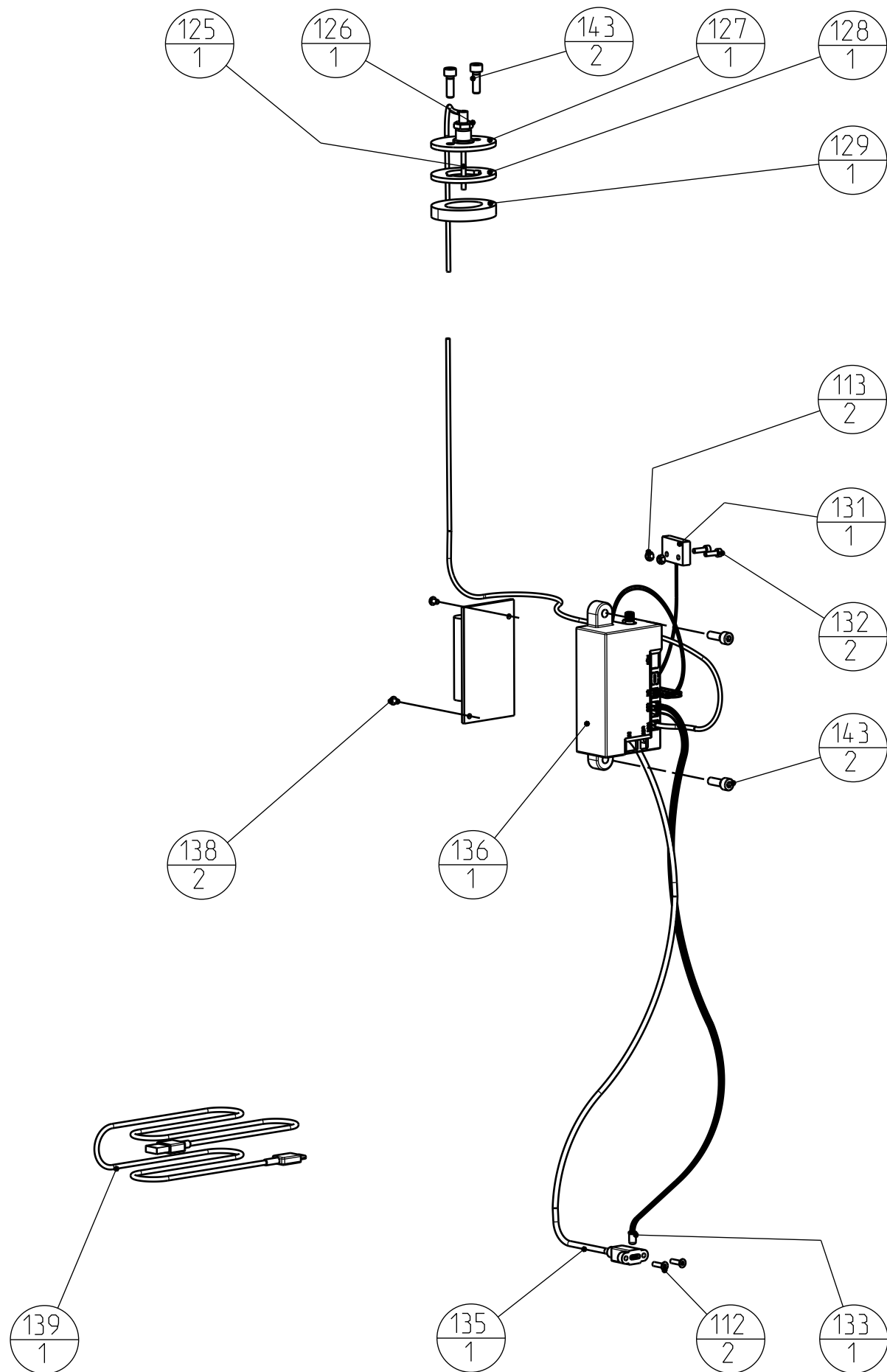
Date:  
01.02.2024



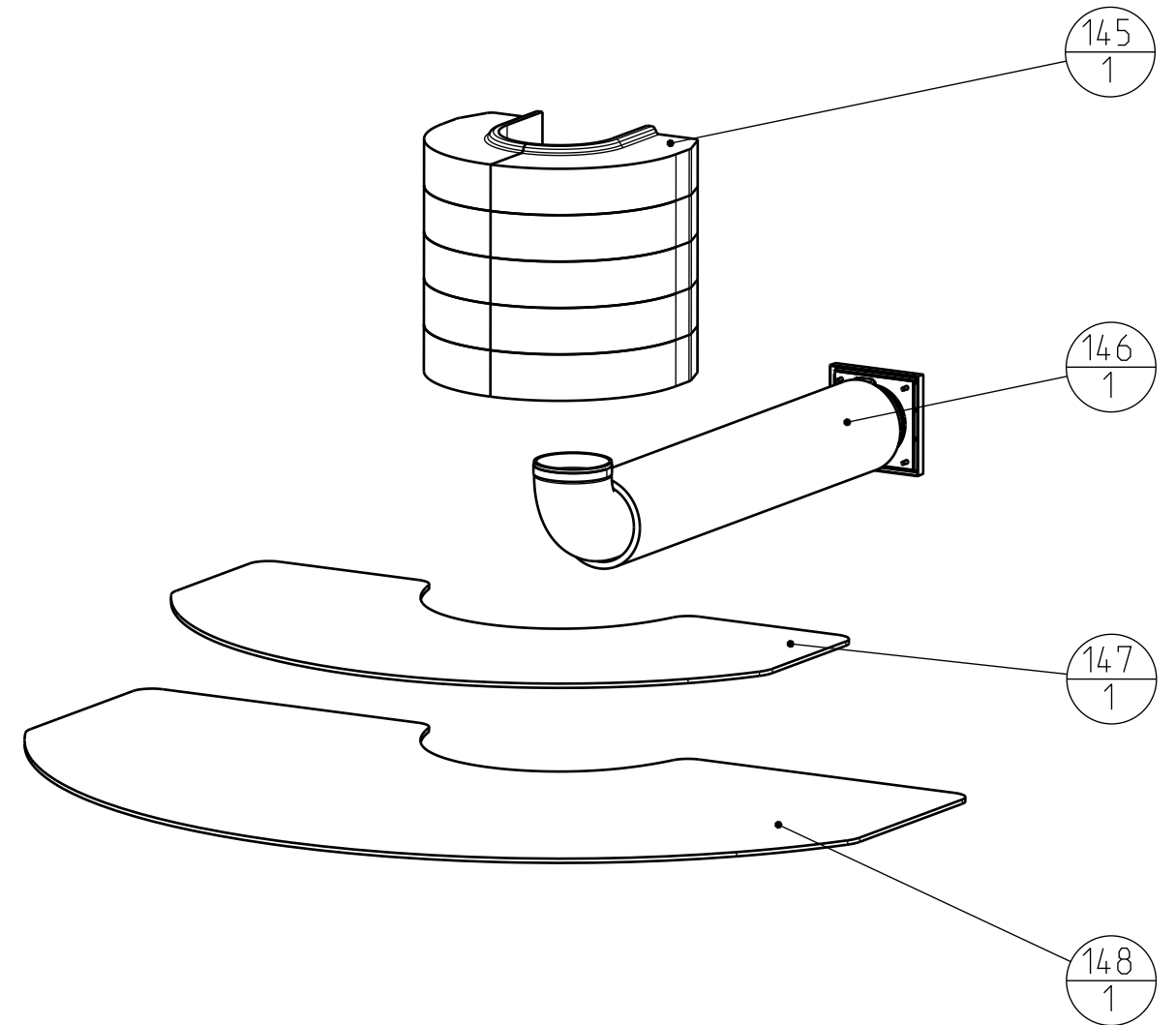
XX YY XX-Position number  
YY-Quantity

Partlist, Jøtul F 170		
Jøtul AS Fredrikstad, Norway	Draw.no: 900369-P01 Page. 4 of 5	Date: 01.02.2024

Electronics



Optional equipment



XX	XX-Position number
YY	YY-Quantity

Partlist, Jøtul F 170		
Jøtul AS Fredrikstad, Norway	Draw.no: 900369-P01 Page. 5 of 5	Date: 01.02.2024

# Jøtul F 170 Zensoric

Jøtul F 171 Zensoric BP cat. no. 30062948, Jøtul F 174 Zensoric BP cat. no. 30062949 Jøtul F 176 Zensoric BP cat. no. 21062959- Coming for sale in 2024

Jøtul F 171 Zensoric BP LTD cat. no. 30063971, Jøtul F 174 Zensoric BP LTD cat. no. 30063972 , sales to stop during 2024

BP= Sort lakk/Black Paint, UP= Ulakkert/Unpainted

Quantity	Pos. no.	Spareparts	Consist of pos.no:	Benevnelse	Description	Dim./Spec.
				<b>Mantles</b> (page 2)		
1	1	12063639		Sideplate venstre BP	Side Plate Left BP	Cast iron min. 4mm thickness
1	2	12063640		Sideplate høyre BP	Side Plate Right BP	Cast iron min. 4mm thickness
1	3	12065514		Topplate uten logo F 171 / F 174 BP (ikke for F 176)	Top Plate Without Logo F 171 / F 174 BP (not for F 176)	Cast iron min. 4mm thickness
1	4	12063636		Topping BP	Top Ring BP	Cast iron min. 4mm thickness
1	5	12051468		Øvre topp deksel BP	Upper Top Cover BP	Cast iron min. 4mm thickness
1	6	12063641		Frontplate øvre BP	Front Plate Upper BP	Cast iron min. 4mm thickness
1	7	12063637		Sokkel bunnplate BP	Base Bottom Plate BP	Cast iron min. 4mm thickness
1	8	12063643		Sokkel lav side venstre BP	Base Low Side Left BP	Cast iron min. 4mm thickness
1	9	12063644		Sokkel lav side høyre BP	Base Low Side Right BP	Cast iron min. 4mm thickness
1	10	12063646		Sokkel høy side venstre BP	Base High Side Left BP	Cast iron min. 4mm thickness
1	11	12063647		Sokkel høy side høyre BP	Base High Side Right BP	Cast iron min. 4mm thickness
1	12	12063645		Sokkel lav front BP	Base Low Front BP	Cast iron min. 4mm thickness
1	13	12063648		Sokkel høy front BP	Base High Front BP	Cast iron min. 4mm thickness
1	14			Sokkel lav ben venstre UP	Base Low Leg Left UP	Cast iron min. 4mm thickness
1	15			Sokkel lav ben høyre UP	Base Low Leg Right UP	Cast iron min. 4mm thickness
1	16			Sokkel høy ben venstre UP	Base High Leg Left UP	Cast iron min. 4mm thickness
1	17			Sokkel høy ben høyre UP	Base High Leg Right UP	Cast iron min. 4mm thickness
1	18	12063649		Høy Topp F 176 side venstre BP	High Top F 176 Side Left BP	Cast iron min. 4mm thickness
1	19	12063650		Høy Topp F 176 side høyre BP	High Top F 176 Side Right BP	Cast iron min. 4mm thickness
1	20	12063652		Høy Topp F 176 topplate BP	High Top F 176 Top Plate BP	Cast iron min. 4mm thickness
1	21	12063651		Høy Topp F 176 frontplate BP	High Top F 176 Front Plate BP	Cast iron min. 4mm thickness
2	22	12063635		Høy Topp F 176 sidebrakett UP	High Top F 176 Side Bracket UP	Cast iron min. 4mm thickness
1	23	10063552		Skjermplate bak komplett F 171	Heat Shield Rear Complete F 171	Steel, Black Paint
1	24	10063553		Skjermplate bak komplett F 174	Heat Shield Rear Complete F 174	Steel, Black Paint
8	25	10024253	1(2pcs), 2(2pcs), 12(4 pcs), 13(4pcs)	Brikke	Bracket	Stainless steel
2	26	10063509		Skjøtestykke side	Joint Piece Side	Steel, UP
1	27	10063511		Deksel side venstre	Side Cover Left	Steel, Black Paint
1	28	10063512		Deksel side høyre	Side Cover Right	Steel, Black Paint
2	29		51063946(6pcs)	Gjennomføring gummi	Rubber Grommet 19/27/33/3	Silicone, black
1	30	10063513		USB-Brakett	USB-Bracket	Steel, Black Paint
1	31	10063524		Gjennomsiktig deksel	Transparent Cover	Plastic, Polycarbonat
2	32	10064238		Gjengestang M8	Threaded Rod M8	Steel St 4.6
2	33	10063510		Topp brakett	Top Bracket	Steel, UP
1	34	10063526		Stålbørste	Steel Brush	Steel
1	35		50027205 (5m)	Pakning til Sokkel front	Base Front	Glass fibre, LD-250-2 graph Ø6,4x500mm
4	36		51046856(4pcs)	Høydejusteringsskrue M8X30	Height Adjustment Screw M8x30	Steel and plastic
20	37	10023544	26(16pcs),27(2pcs),28(2pcs)	Skrue sekskant med flens M6x10 DIN 6921	Screw Hex Cap Flange M6x10 DIN 6921	St8.8 / ANSI B18.2
4	38	10023545	25(2pcs left side),25 (2pcs right side)	Skrue sekskant med flens M6x12 DIN 6921	Screw Hex Cap Flange M6x12 DIN 6921	St8.8 / ANSI B18.2
8	39	10023540	33(4pcs),14(2pcs),15(2pcs),16(2pcs),17(2pcs)	Skrue sekskant med flens M6x20 DIN 6921	Screw Hex Cap Flange M6x20 DIN 6921	St8.8 / ANSI B18.2
2	40	10023547	26(2pcs)	Skrue sekskant med flens M6x35 DIN 6921	Screw Hex Cap Flange M6x35 DIN 6921	St8.8 / ANSI B18.2
6	41	10023666	26(2pcs),33(4pcs)	Mutter sekskant med flens M6 DIN 6923	Nut Hexagon Cap Flange M6 DIN 6923	St8.8 / ANSI B18.2
4	42	10023660	25(4pcs)	Skrue sekskant med flens M8x12 DIN 6921	Screw Hex Cap Flange M8x12 DIN 6921	St8.8 / ANSI B18.2
3	43	10023661	30,31(2pcs)	Skrue sekskant med flens M8x16 DIN 6921	Screw Hex Cap Flange M8x16 DIN 6921	St8.8 / ANSI B18.2
14	44	10023662	8(2pcs),9(2pcs),10(2pcs),11(2pcs),14(5pcs),15(5pcs),16(5pcs),17(5pcs)	Skrue sekskant med flens M8x20 DIN 6921	Screw Hex Cap Flange M8x20 DIN 6921	St8.8 / ANSI B18.2
4	45	10023663	22(4pcs)	Skrue sekskant med flens M8x25 DIN 6921	Screw Hex Cap Flange M8x25DIN 6921	St8.8 / ANSI B18.2
8	46	10023667	14(2pcs),15(2pcs),16(2pcs),17(2pcs),22(2pcs)	Mutter sekskant med flens M8 DIN 6923	Nut Hexagon Cap Flange M8 DIN 6923	St8.8 / ANSI B18.2
3	47	10023559	30(1pcs), 32(2pcs)	Skive M8 Ø8,4xØ20x1.5 DIN 522	Washer M8 Ø8.4xØ20x1.5 DIN 522	St8.8 / ANSI B18.2
1	48	10063516		Skjermplate bak F 176	Heatshield Rear F 176	Steel, Black Paint
1	49	51063054		Silikonknott for spjeldregulering	Silicone Grip For Damper	Silicone, Black
				<b>Door</b> (Page 3)		
1	50			Dør montert BP	Raw Door mounted BP	
16	50	51063041	50,51,52,54,55,56,57(12pcs),58,62,63,65,140	Dør uten håndtak	Door Without Handle BP	

# Jøtul F 170 Zensoric

Jøtul F 171 Zensoric BP cat. no. 30062948, Jøtul F 174 Zensoric BP cat. no. 30062949 Jøtul F 176 Zensoric BP cat. no. 21062959- Coming for sale in 2024

Jøtul F 171 Zensoric BP LTD cat. no. 30063971, Jøtul F 174 Zensoric BP LTD cat. no. 30063972 , sales to stop during 2024

BP= Sort lakk/Black Paint, UP= Ulakkert/Unpainted

Quantity	Pos. no.	Spareparts	Consist of pos.no:	Benevnelse	Description	Dim./Spec.
1	51			Brakett øvre for dør BP	Bracket For Door Top BP	
2	52	10004960		Glidelager	Slide Bearing	
1	54			Brakett nedre for dør BP	Bracket Down Door BP	
1	55	51064370		Glass for dør	Frontglass	Glass, Ceramic
1	55	51063055	55,62,65	Glass uten logo	Glass Without Logo	
2	56			Glass list aluminium	Glass List Aluminium	Aluminium, BP
2	56	51063056	56(1pcs), 57(6pcs),58(1pcs)	Glass list aluminium	Glass List Aluminium	
16	57		51063061 Screw and Bolt Kit	Skrue FH Unbraco M5x10 Flatheadet sort	Screw FH Unbraco M5x10 Flatheaded Black	Steel
2	58		51063047(2m)	Silikonpakning for dør glass	Silicone Gasket For Front Glass	Silicone, Black, 0,6m
1	59	12063638		Brakett f/dørhåndtak BP	Door Handle Bracket BP	Cast iron min. 4mm thickness
1	60	10063525		Døråndtak tre	Door Handle Wood	Black
2	61	10023580		Skrue Sylinderhode Innv Seksk Lavhodet M6x16	Screw Cylinder head Internal Hex Low head M6x16	St8.8 Black DIN 7984
1	62		51063586(3000mm long + glue + pos63)	Pakning Teksil Glass Ø11mm sort	Gasket Textile Glass Ø11mm Black	Ø11x1900mm
	63			Skjøtehylse Ø11mm glsssfiber sort	Fiberglass Sleeve Ø11mm Black	Ø11x70mm
1	64	51063058		Pakning Ø10mm myk selvklebende sort	Gasket Ø10mm Soft Self Adhsheive Black	Ø10x2000mm
			65,66(4pcs),67,68,69(2pcs),70,71,72,73,74,75(6pcs)76,77,78,79,141(2pcs),141(7pcs)142(4pcs),143(2pcs)+ all other parts for completing mechanism	<b>Air Box Complete cat. no. 51065603 V3 (Page 3)</b>		
1	65			Skjermplate for regulator	Heat Shield For Regulator	Steel
4	66	51065617		Tetteplugg gummi	Sealing Plug	Rubber
1	67			Pakning for motor	Gasket For Motor	Ceramic Paper
1	68			Skjermplate motor	Heat Shield Motor	Stainless Steel AISI 304
2	69			Avstandsstykke for motor	Distance Bush For Motor	Stainless Steel AISI 304
1	70			Luftboks	Air Box	Steel
1	71			Keramisk papirpakning 270x201x5mm	Ceramic Paper 270x201x5mm	Ceramic Paper
5	72	10007913		Pakning Flat 8x3mm med lim sort	Gasket Flat 8x3mm Self Adhsheive Black	Glass fibre, 1000mm
	73			Deksel luftboks	Cover Plate Air box	Steel
1	74			Tilkoblingsstuss for uteluft Ø100mm	Sleeve with flange Ø100mm (for outside air)	
6	75			Pop nagle M3,2x7,9	Pop Rivet M3,2x7,9	Steel
1	76	51064426	67,68,69(2pcs),75(2pcs)76,77,78,144(2pcs)	Stepmotor, utside PM42L-048-285D	Motor Stepper, Outside PM42L-048-285D	
1	77			Motor tannhjul 68,5mm	Motor Gear 68,5mm	Steel
1	78			Brakett for motor	Bracket For Motor	Steel
1	79			Brakett for ECC	ECC Mounting Bracket	Steel, Galvanized
				<b>Burn Chamber (Page 4)</b>		
1	80			Indre bunnplate BP	Inner Bottom BP	Cast iron min. 4mm thickness
1	80	51063040	80,81	Indre bunnplate BP	Inner Bottom BP	
1	81			Pakning for indre bunnplate	Gasket For Inner Bottom	Ceramic Paper
1	82	51063042		Fyrrist BP	Grate BP	Cast iron min. 4mm thickness
2	83		51062559(3pcs)	Låsepinne Ø6x40mm	Dowel Pin Ø6x40mm	Steel, stainless
1	84			Support For Baffle Plate	Support For Baffle Plate	Steel, stainless
1	85	10004953	51063061 Screw and Bolt Kit(10pcs)	Kravemutter M5 med rifler EIZn DIN 6923	Flange Nut with ripp EIZn M5 DIN 6923	Steel
1	86	10043926		Hengselpinne for dør	Hinge Pin For Door	Steel, stainless
1	87			Dørhengsel nedre (Festet på brennkammer) BP	Bracket Down( Fastened on Burn Chamber) BP	Steel
1	88			Varmeskjold nedre rustfritt	Heat Shield Stainless Lower	Steel, stainless
1	89			Varmeskjold øvre rustfritt	Heat Shield Stainless Top	Steel, stainless
1	90		Use 10mm long from 51063061 Screw and Bolt Kit	Skrue Sylinderhode Innv Seksk M5x6(dørstopper)	Screw Cylinder head Internal Hex M5x6 (door stop)	Black, St8.8, ISO 4762
1	91			Hengselbøsning for dør	Hinge Bushing For Door	Steel
1	92			Dørhengseløvre (Festet på brennkammer) BP	Bracket Top( Fastened on Burn Chamber) BP	Steel
1	93	10004826	51063061 Screw and Bolt Kit(5pcs)	Skrue Gjengestift med hul ende M5x8 DIN 916	Screw Socket Set with Cup point M5x8 DIN 916	Black, St8.8, DIN 916/ISO 4029
1	94	10045489		Fjær for selvluukkende dør	Spring For Self Closing Door Mechanism	Spring steel, Ø11,5xØ2,25x79mm
	94	51064847	93,94,96	Mekanisme for selvluukkende dør	Self Closing Door Mechanism	
1	96			Bolt til fjær for selvluukkende dør Ø6	Bolt Hex Socket Head Ø6	Steel, length 140, without Thread
1	97			Røyktut (røykrørtilkobling på innsiden)	Smoke Outlet Dripless BP (Flue mounting inside)	Steel
1	97	51063036	97,99,141(4pcs)	Røyktut Ø160	Exterior Smoke Outlet Ø160	

# Jøtul F 170 Zensoric

Jøtul F 171 Zensoric BP cat. no. 30062948, Jøtul F 174 Zensoric BP cat. no. 30062949 Jøtul F 176 Zensoric BP cat. no. 21062959- Coming for sale in 2024

Jøtul F 171 Zensoric BP LTD cat. no. 30063971, Jøtul F 174 Zensoric BP LTD cat. no. 30063972 , sales to stop during 2024

BP= Sort lakk/Black Paint, UP= Ulakkert/Unpainted

Quantity	Pos. no.	Spareparts	Consist of pos.no:	Benevnelse	Description	Dim./Spec.
1	98			Røyktut (røykrørtilkobling på utsiden)	Smoke Outlet Non Dripless BP (Flue mounting outside)	Steel
1	98	51037779	98,99,141(4pcs)	Røyktut Φ150	Interior Smoke Outlet Φ150	
2	99		50027204 (5m)	Pakning Flat 8x3mm med lim sort	Gasket 8x3mm Self Adhsheive Black	Glass fibre, 500mm
1	100			Beskyttelse bak i brennkammer	Protection Behind Burn Chamber	Steel, stainless
1	101			Røykhullsdeksel BP	Smoke Exit Flange BP	Steel
1	102			Brakett for magneter BP	Bracket For Magnets BP	Steel
1	103		51063061 Screw and Bolt Kit(5pcs)	Skrue Sylinderhode Innv Seksk M5x20 DIN 912	Screw Cylinder head Internal Hex M5x20 DIN 912	Black, St12.9, ISO 4762
1	104		51063061 Screw and Bolt Kit(5pcs)	Mutter M5 EIZn DIN 934	Nut M5 EIZn DIN 934	
2	105			Sekundærluftkanal	Secondary Air Channel	Steel
6	106		51063061 Screw and Bolt Kit(5pcs)	Skrue Rundhodet m/flens Innv Seksk M5x30	Screw Round Head Flange Int Hex M5x30	Black, St10.9
2	107			Magnet Sm2Co17	Magnet Sm2Co17	70x12x6mm
1	107	51063045	107(1pcs),108(2pcs)109(2pcs)	1 stk Magnet Sm2Co17 med skruer og muttere	1 pcs Magnet Sm2Co17 incl screws and nuts	
4	108			Låsemutter M4 EIZn	Lock Nut EIZn M4	Steel
4	109		51063061 Screw and Bolt Kit(5pcs)	Skrue Sylinderhode Innvendig Sekskant M4x10	Screw Cylinder head Internal Hexagon M4x10	Black
1	110			Fjær ESS 0,9x10x50	Spring ESS 0,9x10x50	Steel, stainless
1	111	51063050		Dørsensormagnet	Door Sensor Magnet	
3	112	10062678	51063061 Screw and Bolt Kit(5pcs)	Skrue Sylinderhode Innvendig Sekskant M3x12	Screw Cylinder head Internal Hexagon M3x12	Black
3	113	10062677	51063061 Screw and Bolt Kit(5pcs)	Låsemutter M3 EIZn	Lock Nut EIZn M3	Steel
	114	51065619	110,111,112,113 + all other parts for completing mechanism	Mekanisme for dørsensor	Mechanism, Closing Sensor Complete	
1	115	12062669		Tertiærboks BP	Tertiary Box BP	Steel
6	116	12062534	51063061 Screw and Bolt Kit(5pcs)	Skrue Innv Seksk M5x20 Flathodet spesial	Screw Internal Hex M5x20 Flatheaded special	Black, Steel
1	117			Skilleplate for primærluft	Partition For Primary Air BP	Steel
1	118		Back Bottom, Back Top, Side L, Side R, Baffle Top, Baffle Bottom	Sett vermikulitt	Kit Vermiculite	Vermiculite
1	118	51063044	83(2pcs),118	Sett vermikulitt	Kit Vermiculite	
1	119	51063043		Askeskuff BP	Ash Tray BP	Steel
				<b>Electronics (Page 5)</b>		
1	120			Gjennomføring gummi Φ12	Rubber Grommet Φ12	Silicone, black
2	121	10007642	51063061 Screw and Bolt Kit(5pcs)	Låsemutter M5 EIZn DIN 6925	Lock Nut EIZn M5 DIN 6925	Steel
1	122			Motorbrakett	Engine Holder	Steel
1	123	51063053		Tannhjul	Motorgear	Aluminium
1	124	10063523		Kontrollboks brakett	Control Box Bracket	Steel
1	125			Temperatursensor	K-type Thermocouple	
1	125	51063039	125,126, 127,128,143(2pcs)	Temperatursensor sett	K-type Thermocouple Kit	
1	126			Pop mutter M8 3,0-5,5	Pop Nut M8 3,0-5,5	Steel
1	127			Sensorplate BP	Sensors Plate BP	Steel
1	128			Sensorplate nedre BP	Sensors Plate Bottom BP	Steel
1	129			Pakning	Gasket	Heat resistant fibres
1	131			Magnetisk sensor	Magnetic Reed Sensor	
1	131	51063049	131,113(2pcs),132(2pcs)	Magnetisk sensor sett	Magnetic Reed Sensor Kit	
2	132		51063061 Screw and Bolt Kit(5pcs)	Skrue Sylinderhode Innv Seksk M3x10 DIN 912	Screw Cylinder head Internal Hex M3x10 DIN 912	Black, St8.8, ISO 4762
1	133			RGB LED anode	RGB LED Common Anode	
1	133	51063100	133	RGB LED anode pakket	RGB LED Common Anode Packed	
1	135			USB-C enhet	USB-C Panel	
1	135	51063101	135,112(2pcs)	USB-C enhet montert	USB-C Panel Mount	
1	136			Kontroll Boks	Controller Box	Black Plastic
1	137			ECC kretskort	ECC Control Board New	
1	137	51063048	136,137,138(2pcs)	Zensoric kontroll kort V1	Zensoric Control Board V1	
2	138		51063061 Screw and Bolt Kit(2pcs)	Skrue Rundhodet Innv Seksk M3x5	Screw Round Head Int Hex M3x5	Steel, ISO 7380
1	139			Ladekabel USB A-C, 1m	Charger Cable USB A-C, 1m	
	140		51063061 Screw and Bolt Kit(15pcs)	Skrue sekskant med flens M5x10 DIN 6921	Screw Hex Cap Flange M5x10 DIN 6921	Serrated, Black, St8.8 / ANSI B18.2
	141		51063061 Screw and Bolt Kit(5pcs)	Skrue Sylinderhode Innv Seksk M5x10 DIN 912	Screw Cylinder head Internal Hex M5x10 DIN 912	Black, St8.8, ISO 4762
	142		51063061 Screw and Bolt Kit(5pcs)	Skrue Sylinderhode Innv Seksk M5x12 DIN 912	Screw Cylinder head Internal Hex M5x12 DIN 912	Black, St8.8, ISO 4762
	143		51063061 Screw and Bolt Kit(15pcs)	Skrue Sylinderhode Innv Seksk M5x16 DIN 912	Screw Cylinder head Internal Hex M5x16 DIN 912	Black, St8.8, ISO 4762



## Jøtul F 170 Zensoric

Jøtul F 171 Zensoric BP cat. no. 30062948, Jøtul F 174 Zensoric BP cat. no. 30062949 Jøtul F 176 Zensoric BP cat. no. 21062959- Coming for sale in 2024

Jøtul F 171 Zensoric BP LTD cat. no. 30063971, Jøtul F 174 Zensoric BP LTD cat. no. 30063972 , sales to stop during 2024

*BP= Sort lakk/Black Paint, UP= Ulakkert/Unpainted*

<b>Quantity</b>	<b>Pos. no.</b>	<b>Spareparts</b>	<b>Consist of pos.no:</b>	<b>Benevnelse</b>	<b>Description</b>	<b>Dim./Spec.</b>
2	144		51061518 Screw and Bolt Kit(2pcs)	Skrue Rundhodet M/flens Innv Seksk M5x20	Screw Roundhead W/Flange Internal Hexagon M5x20	St.10.9
			<b>Optional equipment</b>			
1	145	10062576		Varmeakkumulerende stener(10stk,5 lag)	Heat accumulating Stones(10pcs, 5 layers)	
1	146	51012164		Utelufttilkobling Φ100	Outside Air connection Φ100	
1	147	50063548		Gulvplate Glass DK NO SE	Floor Plate Glass DK NO SE	
1	148	50063549		Gulvplate Glass DE	Floor Plate Glass DE	
		50052674		Sprayflaske BP	Spray Bottle BP	200ml